

**HYUNDAI**  
POWER PRODUCTS

**Generator Set ATS (Automatic Transfer Switch)**

**HTPATS (ATS three phase)**

**HSPATS (ATS single phase )**

**ORIGINAL INSTRUCTIONS**

Notice read manual book before using Eagles Electrical Company ATS. Diesel genset makes start keys stay on off position; gasoline genset makes start key stay on on position.

I、 Signal light

- 1: HOUSE NET – city power light
- 2: GENERATOR – generator set working light
- 3: AUTO – ATS power light
- 4: FAILURE – ATS warning light

II、 use signal wire connect genset with ATS。

III、 Connection

Make ATS connect city power with generating system(see attachment photo), when everything is right, turn on ATS ,at the same time, power light is on.

IV、 operation steps Eagles Electrical Company offer。

- 1: When ATS monitors city power abnormal, ATS sends start signal delaying in 3 seconds, if ATS does not monitor generator voltage, ATS will continuously send 3 times start signal, if generator can not start normally within 3 times, ATS will lock up and alarm light will be flashing.
- 2: If voltage and frequency of generator is normal, after delaying 5 seconds, ATS automatically switches loading into generator terminal; moreover ATS will continuously monitor voltage of city power. When generator is running,the voltage and frequency is abnormal, ATS automatically disconnects loading and makes alarm light flash! If voltage and frequency of generator is back to normal, ATS stops warning and switch into loading and generator continuously works.
- 3: If generator is running and monitor city power normal, ATS sends stopping signal in 15 seconds. Waiting for generator stopping normal, ATS will switch loading into city power. And then, ATS stays monitoring city power.(Repeat 1-3 steps)

Notice: Because the three-phase ATS has voltage phase loss detection, no matter generator or city power, as long as one phase voltage is abnormal, it is regarded as phase loss. When the generator has phase loss, the working light and ATS alarm light flash at the same; when city power voltage has phase loss, city power light and alarming light flashes at the same time.

V、 Notice

- 1: Choosing ATS, make sure to match volatge,amp and output of generator set.
- 2: Output terminal of ATS **can not** be connected with city power directly.
- 3: When city power voltages connect with ATS, it has get through circuit breaker to keep safe.
- 4: **Don't** use ATS for a long time, turn off ATS power.

VI、 Signal wire and pin function

Diesel Generator Set:

Pin number	Function	Colour/Wire
1	DC12V Power Positive pole	Yellow 0.5
2	Fuel working output	Blue 0.5
3	DC12V Power Negative Pole	Black0.5
4	Running output	Red 0.5
5	DC 12V signal judge	Green 0.5

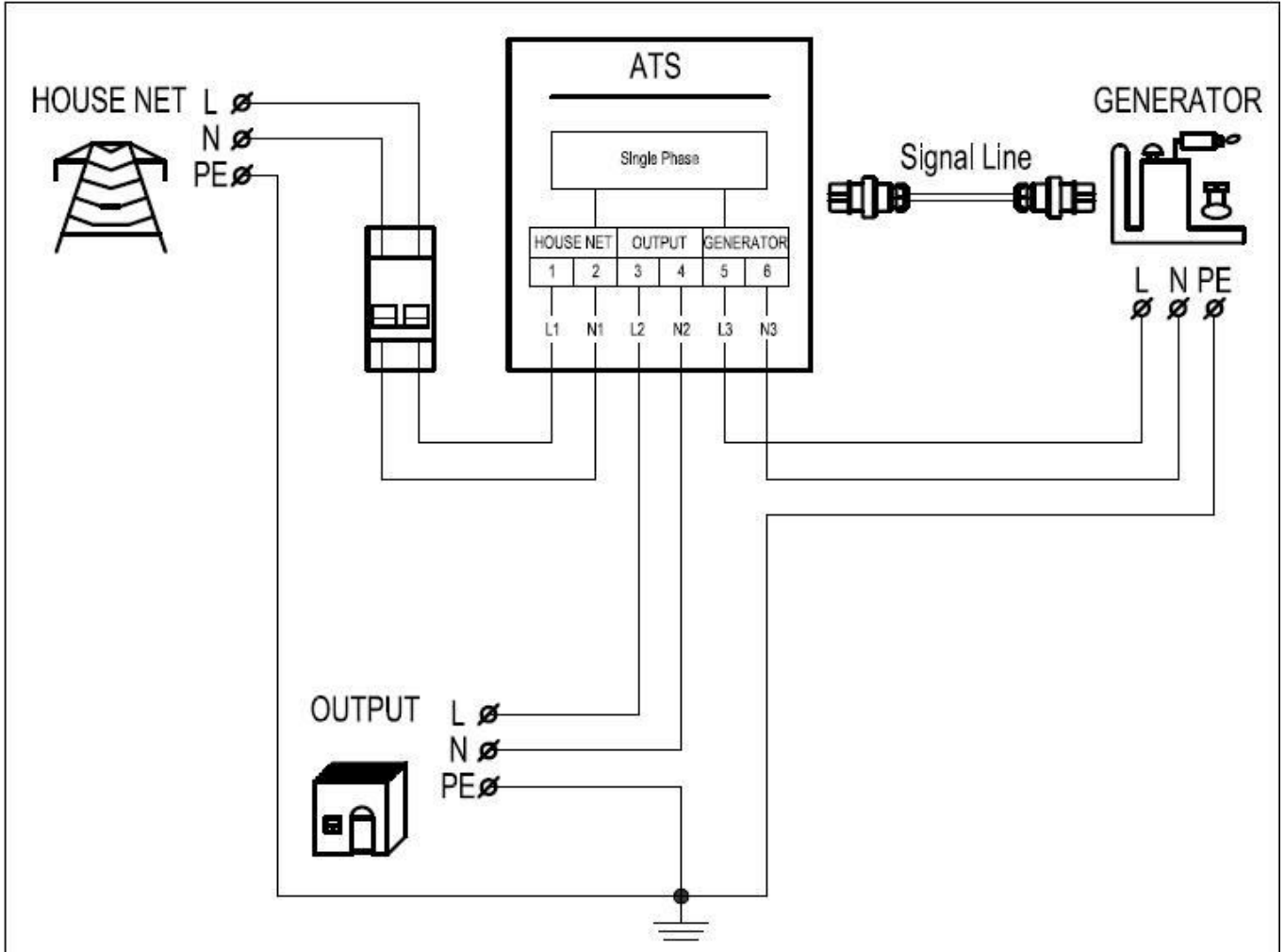
Gasoline Generator Set:

Pin Number	Function	Colour/Wire
1	DC12V Power Positive pole	Yellow 0.5
2	Negative stopping output	Blue 0.5

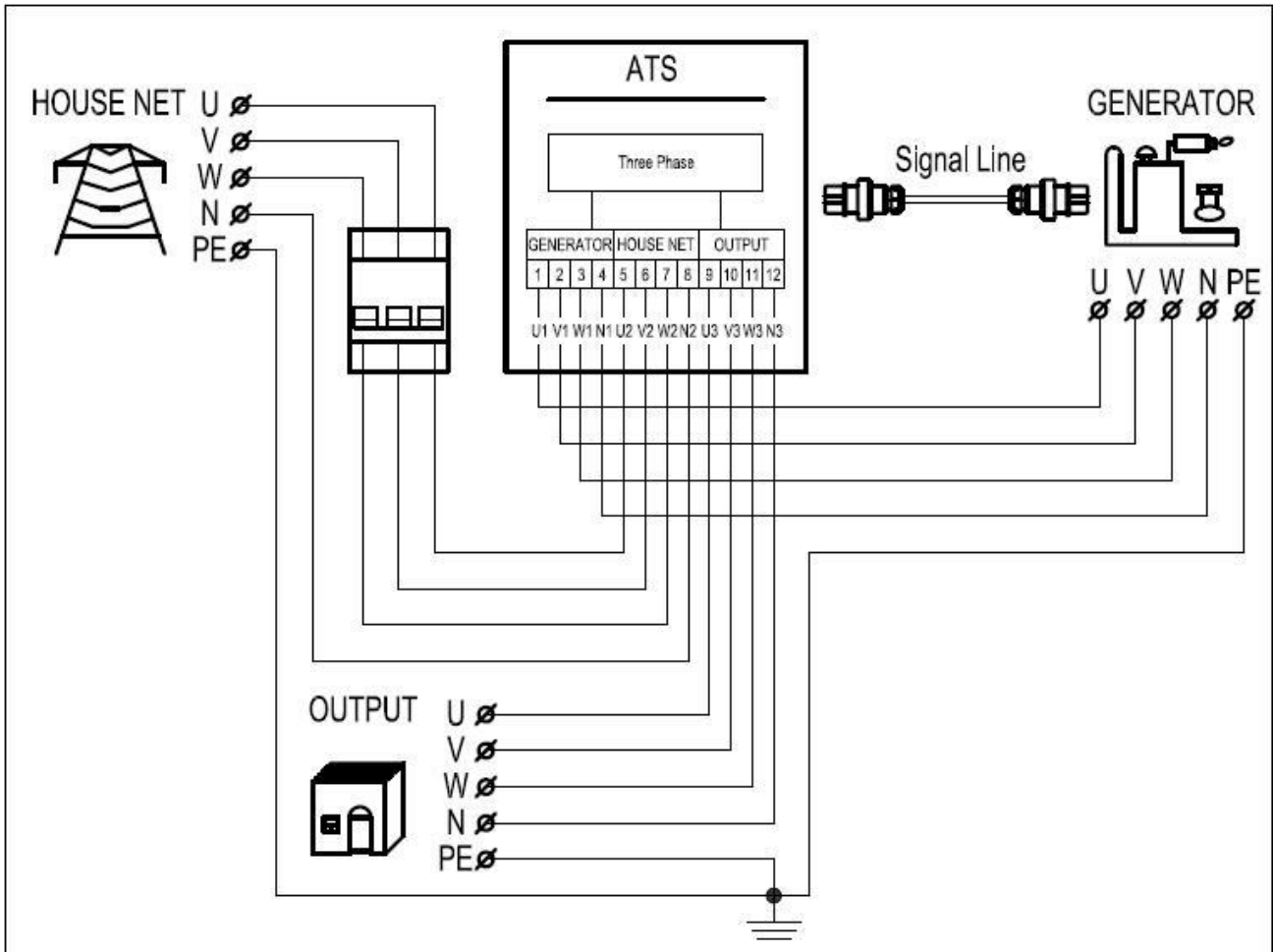
3	DC12V Power Negative Pole	Black 0.5
4	Running output	Red 0.5
5	Carburetor Positive output	Green 0.5
6	Motorized Damper Positive Output	White 0.5

Attached Photo:

Single ATS diagram:



Three ATS diagram:



**HYUNDAI**  
POWER PRODUCTS

**For Inquiries, please contact:**

BUILDER SAS

32, rue Aristide Bergès Z1 31270 Cugnaux, France

Tél. : +33 (0) 5.34.502.502 Fax : +33 (0) 5.34.502.503

<http://www.hyundai-power-fr.com/>

Fabriqué en République Populaire de Chine (PRC)